

L-VJM10A/EN(C) L-VJM10A/EN Unidirectional Projection Loudspeaker

FEATURES

- Intelligible voice and superior sound reproduction
- Ceiling or wall mount
- Meets virtually any outdoor requirements
- EN54-24 certified
- Complies with IP65 standard
- Available with or without capacitor(part number without “C”)



PRODUCT DESCRIPTION

L-VJM10A/EN is a high-performance 10W voice alarm unidirectional projection loudspeaker. It provides a broad frequency response range, low distortion and high sound pressure level for accurate and intelligible broadcast of evacuation messages and high quality sound reproduction. It can be used in indoor, outdoor, dry, or wet applications, providing reliable operations over wide

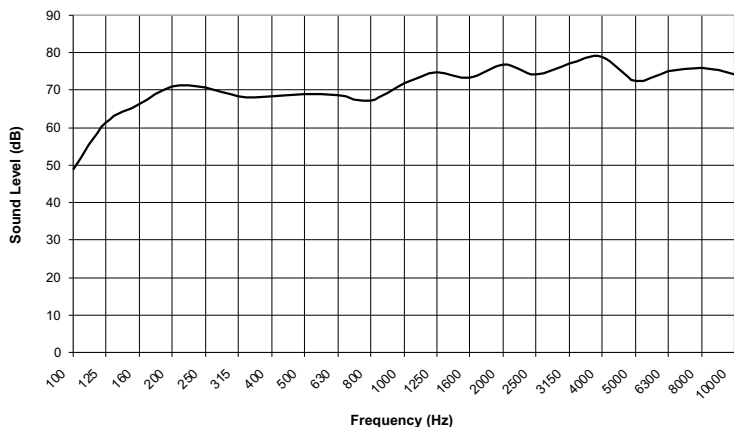
temperature and humidity ranges. Its low-profile, white color design blends easily with most interiors in locations such as hotels, conference rooms, cinemas, theme parks, factories and exhibitions.

This voice alarm unidirectional projection loudspeaker complies with BS5839 part 8 and EN54 part 24.

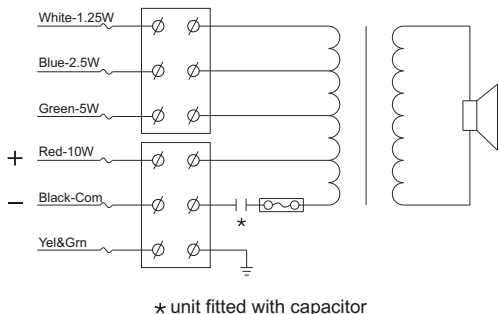
TECHNICAL SPECIFICATIONS

Model	L-VJM10A/EN(C) L-VJM10A/EN
Max power	20 W
Rated power	10 W
Power taps @ 100V	10 W / 5 W / 2.5 W / 1.25 W
SPL at 10W/1W (100Hz-10KHz,1m)	98 dB / 90 dB
SPL at 10W power/1W (100Hz-10KHz,4m)	86 dB / 78dB
Frequency response(-10 dB)	150 Hz - 20 KHz
Rated input voltage	100 V / 70 V
Rated impedance	1 KΩ / 2 KΩ / 4 KΩ / 8 KΩ
Connection	Fire-resistant Cable
Dimensions(D x L)	Φ140 mm x195 mm
Weight	2.62 Kg
Color	White (RAL9003)
Material	Aluminum
DC Blocking Capacitor	Yes (2.7uF) L-VJM10A/EN(C)
	No L-VJM10A/EN

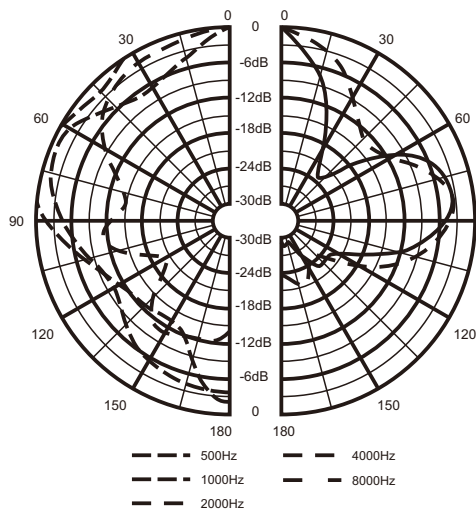
FREQUENCY RESPONSE



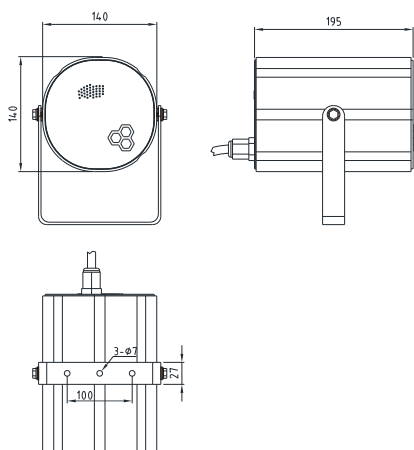
CIRCUIT DIAGRAM



POLAR DIAGRAM



THREE-VIEW DIAGRAM



Honeywell Audiovisuals

No. 257, Junye Road
 Guangzhou GETDD East
 510530 China
 Tel: +86 20 2839 9600
 Fax: +86 20 2820 8706
 www.honeywellav.com

2100041735_EN1.3
 Jun 2013
 © 2013 Honeywell International Inc.

