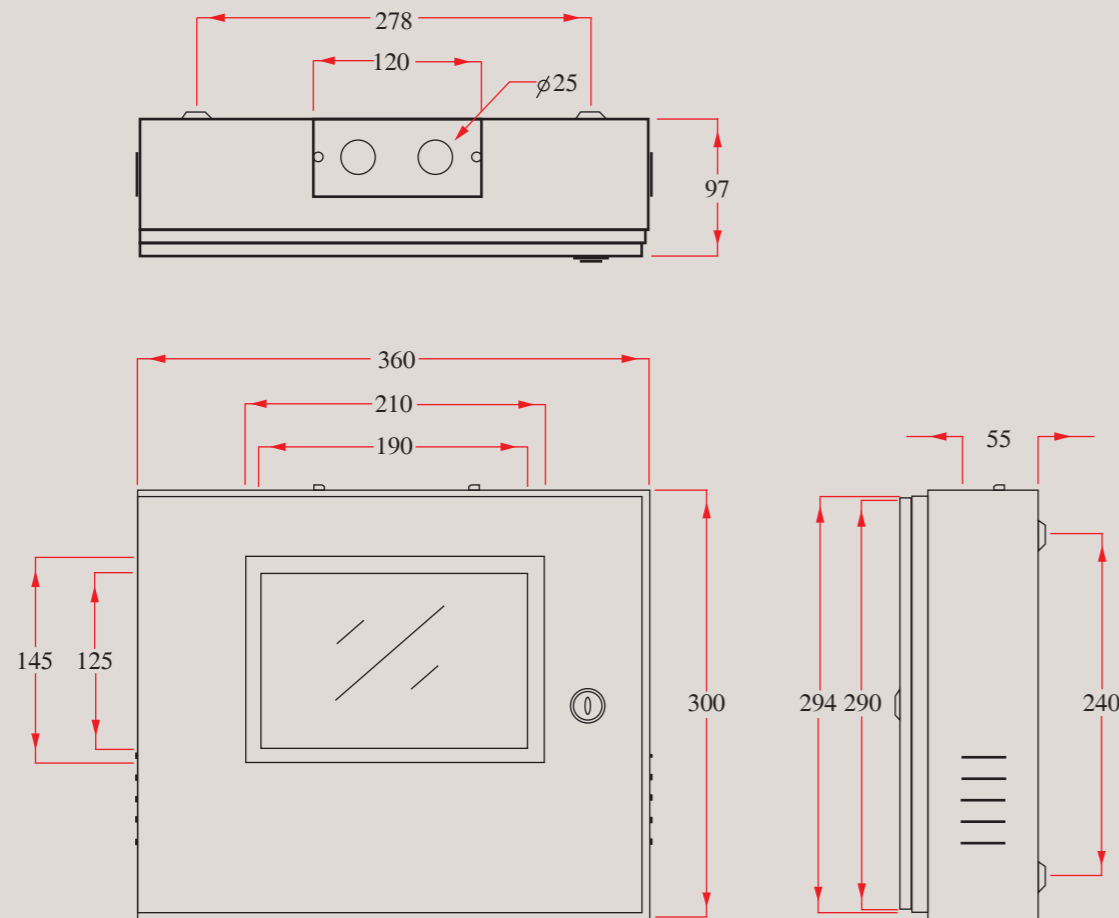
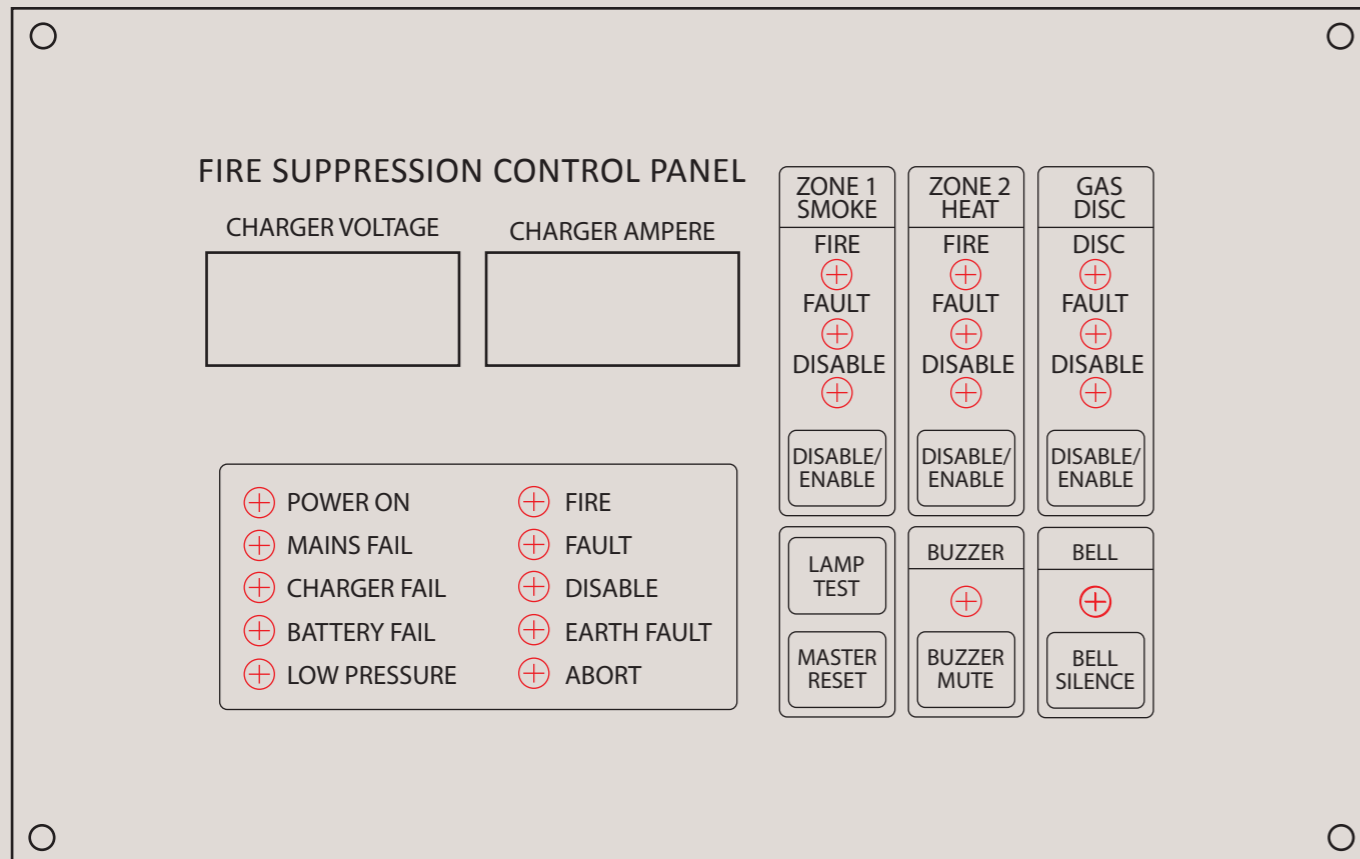


## FSP-02 FIRE SUPPRESSION CONTROL PANEL FACIAL DISPLAY



For more information, please contact:



D-2-9, Magna Prima Boulevard Business Park,  
Jalan Kepong Off Jalan Kuching, 51200 Kuala Lumpur, Malaysia.  
Tel: +603-6242 9832 Fax: +603-6243 6168 Email: seowsa@metrosis.com.my



## FSP-02 (W) Fire Suppression Control Panel



The FSP Fire Suppression Control Panel is designed & fabricated to comply the Malaysian Standard MS1745 – Part 2 : 2004 (equivalent to European Standard EN54-2 : 1997). This is a multi-zone micro-processor controlled automatic fire detection system. It is housed in a signal red mild steel panel. The panel housing can be fabricated based on different IP Standard to suit special requirement.

The alarm indication is both audible (bell ringing) and visible (Zone Fire red LED indicators steady). Fault, Disablement and other indications are also both audible (buzzer beeps) and visible (LED indicators ON).

### Features:-

- i. System using Micro-controller for processing.
- ii. Control circuit with double lock system, ie., the Gas Discharge output activated only upon both zones in alarm condition.
- iii. Time delayed output to release / discharge the gas only after the pre-set delay period of 30 seconds.
- iv. Gas Release Keyswitch contact input to immediately release the gas without delay.
- v. Abort Switch contact input to stop the gas release process (prior to the gas discharge started) by press & hold the switch (optional). The gas release process will be re-activated after the switch has been released (after delay countdown of 30 seconds).
- vi. Buzzer and bell re-sound (after mute / silence) upon any new fault or alarm event happen.

**Approval and Certification:-**



**SPECIFICATIONS:**

AC Input Voltage	240Vac ± 10%, 50Hz
DC Output Voltage	22 – 26 Vdc
Standby Battery	24Vdc Rechargeable SLA Type
Charger Output Voltage	27 - 28Vdc
Max Charging Current	0.6A
Alarm Zone EOL Resistor	4.7K ohm, 1/4W, 5%, carbon film type
Bell / Tripping EOL Resistor	4.7K ohm, 1/4W, 5%, carbon film type
Bell / Tripping / Output	22 – 26 Vdc
System Standby Current	80mA
Input / Output contacts	Normally open voltage free contact
Chassis Colour / Materia	Mild Steel Metal Casing coated with Red Epoxy

**SPECIAL FUNCTION:**

Abort Switch (Optional)	Pressed & hold to stop gas release process, the release process will be re-activated after 30sec delay countdown after the release of this switch.
-------------------------	--

**EASY MAINTENANCE AND TROUBLE SHOOTING  
- ERROR MESSAGE CODE (7 SEGMENT DISPLAY)**

Description	Trouble / Fault	Error CODE
ZONE 1 – Wiring Circuit	OPEN Circuit	1 - O
ZONE 2 – Wiring Circuit	OPEN Circuit	2 - O
GAS DISCHARGE Circuit	OPEN Circuit	G - O
GAS DISCHARGE Circuit	SHORT Circuit	G - S
Bell Line	OPEN Circuit	B - O
Bell Line	SHORT Circuit	B - S
Alarm 1 Output - OPEN Circuit	OPEN Circuit	A1 - O
Alarm 2 Output – OPEN Circuit	OPEN Circuit	A2 - O
Fuse Blown	AC Supply Fail	FuS

**SYSTEM ACCESSORIES:-**



**PHOTOELECTRIC SMOKE DETECTOR**

Model: 882  
Finish: White  
Dim.: 50(H) x Ø100 mm



**HEAT DETECTOR**

Model: KP-303  
Type: Fixed Temperature or ROR  
Finish: White  
Dim.: 43(H) x Ø100 mm



**TWIN FLASHING LIGHT**

Model: KP-305  
Type: LED  
Finish: BLACK  
Dim.: 175(W) x 88(H) x 88(D) mm



**MANUAL KEY SWITCH**

Model: KP-307  
Finish: RED  
Dim.: 100(W) x 100(H) x 88(D) mm



**EVACUATION SIGN:**

Model: KP-309  
Finish: BLACK  
Dim.: 250(W) x 100(H) x 88(D) mm



**ALARM BELL:-**

Model: KP-301  
Finish: RED  
Dim.: Ø 150mm